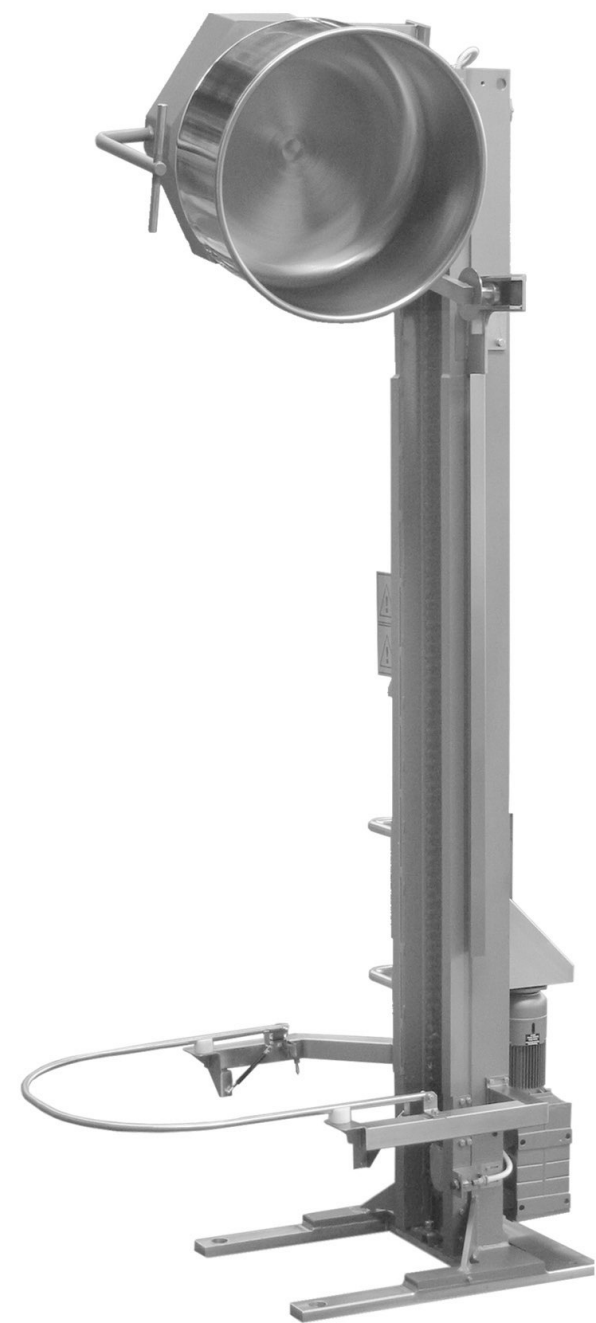


topos[®]

Since 1950

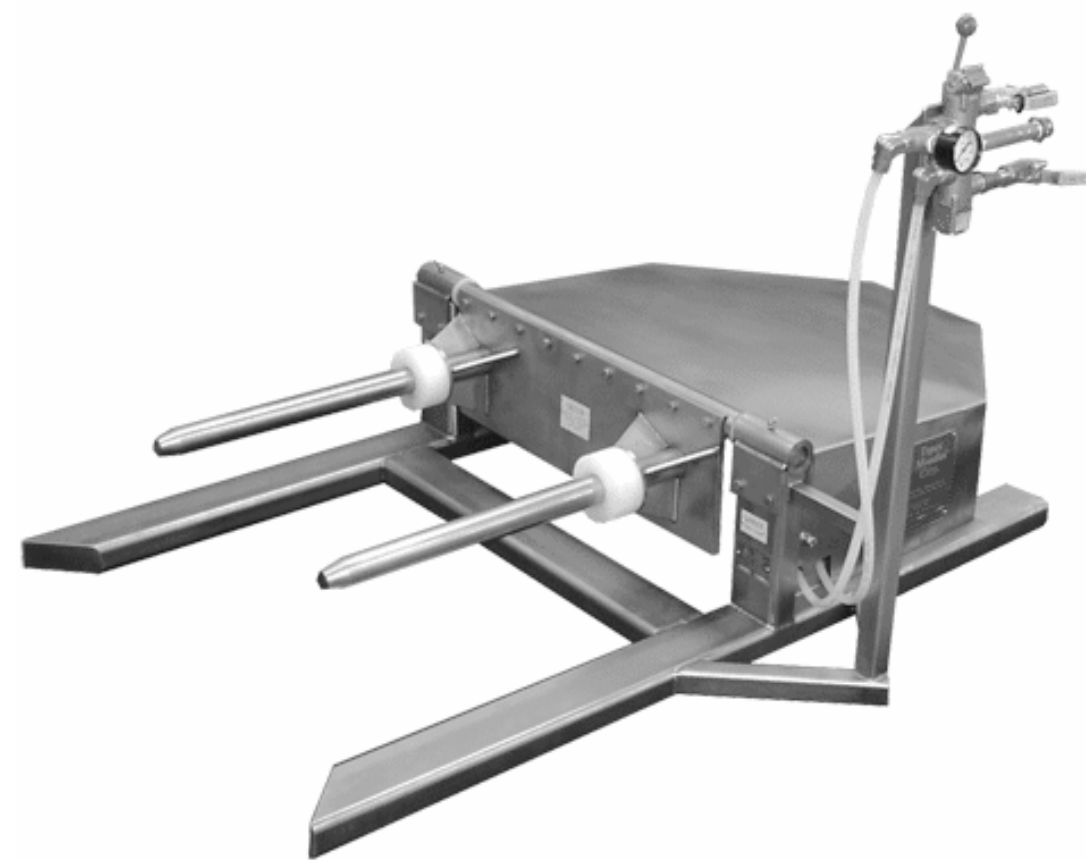
The Definition of Mixing Success

DOUGH HANDLING EQUIPMENT



topos[®]

WATER POWER BOWL DUMP



topos[®]

**Designed to tilt over all Topos mixer bowls
for the purposes of fully cleaning and servicing
the mixer bowls**

Heavy duty all stainless steel construction

No electric or hydraulic power sources are needed

**It only requires house water pressure
[about 80 PSI] to operate**

topos[®]

